



OVERVIEW

Zemecs RKUW-DC0 series wall mount rack cabinets are designed and manufactured to accommodate IT hardware and equipments of small and medium size corporations. The products comply with IEC 60297-2 standard and are offered from 4U to 20U heights at sizes of 55x45 or 55x60 cm. They are available as single section or double section construction with broad accessory options enabling effective utilization and maintenance of IT systems.

APPLICATIONS

- 19" device installation in data centers and server rooms
- Horizontal cabling in network applications

FEATURES

- Accommodates 19" standard hardware
- Steel construction enabling heavy loading
- Available in heights from 4U to 20U
- Front door made of plexiglass in metal frame
- Easy to install and remove side panels
- Clear marking of U height on front and rear vertical rails made of galvanized sheet metal
- Cooling units with 2 fans
- Single or double section construction
- Lockable front door, removable side doors
- Electrostatic powder coating on all surfaces
- Standard black (RAL9005) chassis; ability to supply at different colours
- Wide choice of accessories
- Assembled or knock-down packing





GENERAL SPECIFICATIONS

Construction Material	DIN EN 10130 – 99 Compliant Cold Rolled Steel
Mounting Rails Material	Galvanized steel
Coating	Electrostatic powder coating on all surfaces
Colour	RAL 9005 or RAL 7035
Front Door	4mm. Plexiglass in metal frame
Front Door Opening Angle	180°
Rear Door Type	Single piece sheet metal
Lock	Round
Side Panels	Removable (latches)
Max. # Of Fans	2 (with temperature control unit)
Sheet Metal Thicknesses (mm.)	Frame & Rails: 1,50 Side Panels & Shelves: 1,20
Max. Load Capacity	80 kg.

ENVIRONMENTAL SPECIFICATIONS

Transportation & Storage Temperature	-40 / +85	°C
Installation Temperature	-20 / +85	°C
Operation Temperature	-20 / +85	°C
Relative Humidity	-10 / 90, Non-condensing	%

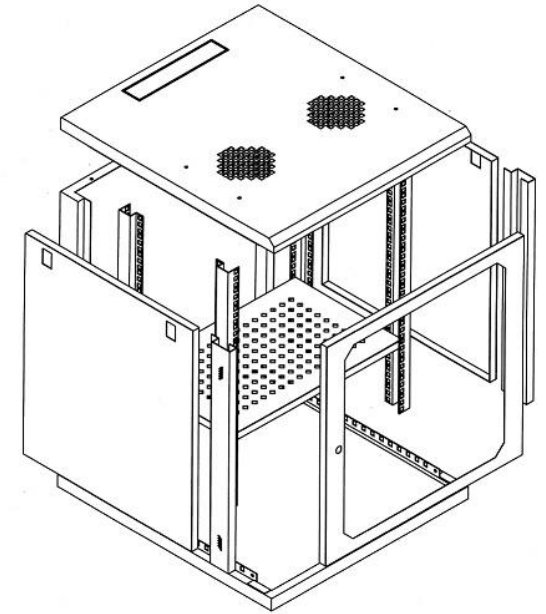
COMPLIANCE

Standards For Mechanical Structures For Electronic Equipment

• ANSI/EIA-310-E	• EN 60950-1
• DIN 41494 (Sections 1 & 7)	• IEC 60917
• EN 61587-1:2016	• EN 55022
• IEC 60297-2	• TS 822

Standards For The Restriction Of Use Of Hazardous Substances In Electrical And Electronic Equipments

• 2011/65/EU (RoHS-2)





PHYSICAL SPECIFICATIONS-55x60cm. Racks

Part Nr.	Mounting Rail Height (U)	Inner Height (mm.)	Overall Height (mm.)	Width (mm.)	Depth (mm.)	Packaged Size (mm.)	Net Weight (kg.)	Gross Weight (kg.)
RK04W-300	4	225	241	550	600	570x620x265	12,55	13,21
RK07W-300	7	358	375	550	600	570x620x400	15,41	16,22
RK09W-300	9	447	465	550	600	570x620x490	17,15	18,05
RK12W-300	12	580	600	550	600	570x620x625	19,52	20,55
RK15W-300	15	714	735	550	600	570x620x760	22,36	23,54
RK16W-300	16	758	780	550	600	570x620x805	23,66	24,91
RK19W-300	19	891	920	550	600	570x620x920	26,86	28,27
RK20W-300	20	936	965	550	600	570x620x965	28,15	29,63

PHYSICAL SPECIFICATIONS-55x45cm. Racks

RK04W-200	4	225	241	550	450	570x470x265	9,70	10,21
RK07W-200	7	358	375	550	450	570x470x400	12,56	13,22
RK09W-200	9	447	465	550	450	570x470x490	13,82	14,55
RK12W-200	12	580	600	550	450	570x470x625	16,67	17,55
RK15W-200	15	714	735	550	450	570x470x760	18,75	19,74
RK16W-200	16	758	780	550	450	570x470x805	16,63	17,51
RK19W-200	19	891	920	550	450	570x470x920	18,78	19,77
RK20W-200	20	936	965	550	450	570x470x965	19,69	20,73

PART NUMBER CODING

Part Nr.	Product Description
RKU UW-3C0	Zemecs 19" Wall Mount Tipi 55x60 cm. Rack Cabinet With Plexiglass Front Door
RKU UW-2C0	Zemecs 19" Wall Mount Tipi 55x45 cm. Rack Cabinet With Plexiglass Front Door

UU: Rail Height	
04	4U
20	20U

C: Colour	
0	Black (RAL9005)
1	Light Grey (RAL7032)

